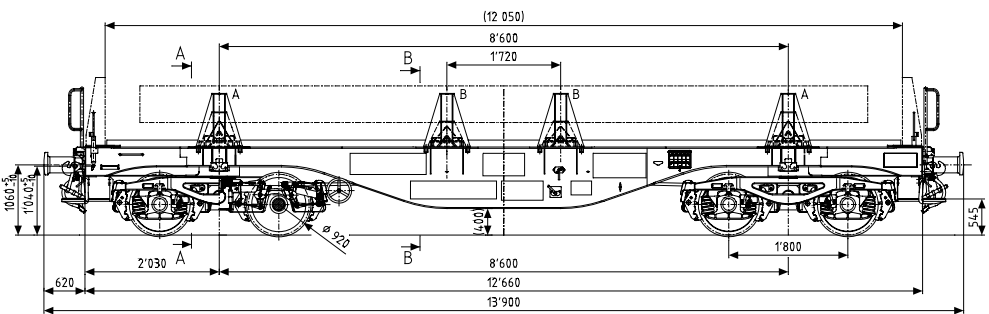


BP Rail Solutions

Smmnps - F44.120E

Smmnps wagon is the optimal solution for transporting hot steel plates. The wagon is very light, with a weight of only 20.8 t. In addition, it is equipped with bogies designed for an axle load of 25 t at a load speed of 100 km/h and thus can carry a load of up to 79.2 t. The wagon is equipped with four carriers to secure the load. It can be loaded with boards of different lengths and widths. Plates are loaded using a crane with a grab or magnets. Special load securing beams on wagons secure the load from sliding in the lateral and longitudinal direction. Plates can be filled in a hot or cold state.

Max load:	79,2 t
Tare weight:	Approx. 21 t
Axle load:	25 t
Total length:	13900 mm
Clearance - outer wheelsets:	8600 mm
Loading length:	12052 mm



Load limits	A	B	C	D	GC	E
S	43,2 t	51,2 t	59,2 t	69,2 t	100	79,2 t
120	0 t					